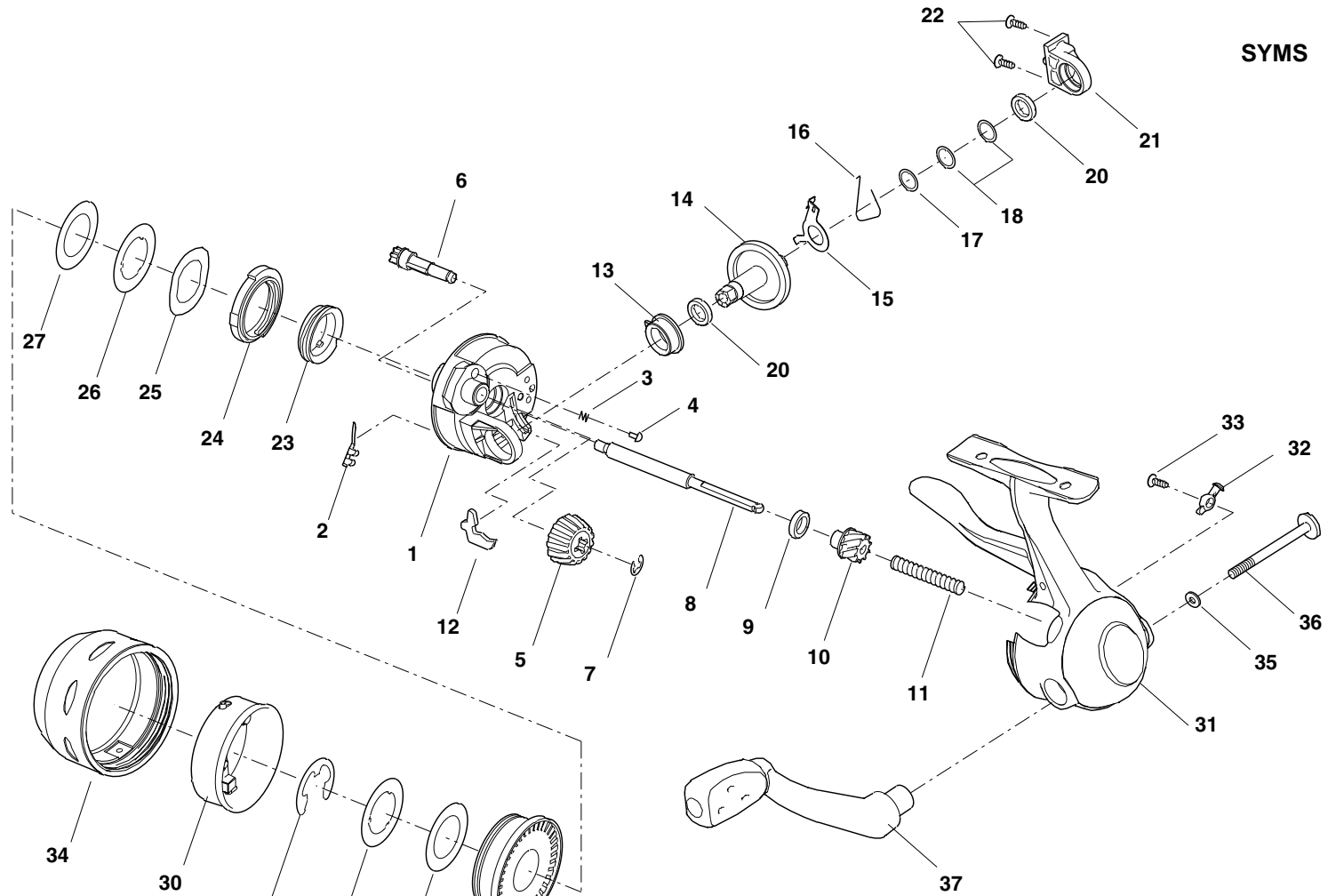


*Shakespeare*<sup>®</sup>

SINCE 1897

SYMS



PART#	PART NAME
1	FRAME
2	CLICK SPRING
3	SPRING
4	CLICK PIN
5	DRAG KNOB
6	DRAG STEM
7	"E" WASHER
8	MAIN SHAFT
9	PINION BEARING
10	PINION
11	MAIN SHAFT SPRING
12	A-R PAWL
13	BEARING SLEEVE
14	GEAR BUSHING
15	ANTI-REVERSE LEVER
16	ANTI-REVERSE LEVER SPRING
17	SPRING WASHER
18	WASHER
20	GEAR BUSHING
21	BEARING STAND
22	BEARING STAND SCREW
23	DRAG GEAR BASE
24	DRAG GEAR
25	DRAG SPRING WASHER
26	DRAG WASHER
27	FRICTION WASHER
28	SPOOL ASSEMBLY
29	"E" WASHER
30	P.U.H. ASSEMBLY
31	BODY FRAME ASSEMBLY
32	A-R LEVER
33	A-R LEVER SCREW
34	FRONT CONE ASSEMBLY
35	CRANK INSERT WASHER
36	CRANK LOCKING SCREW
37	HANDLE ASSEMBLY