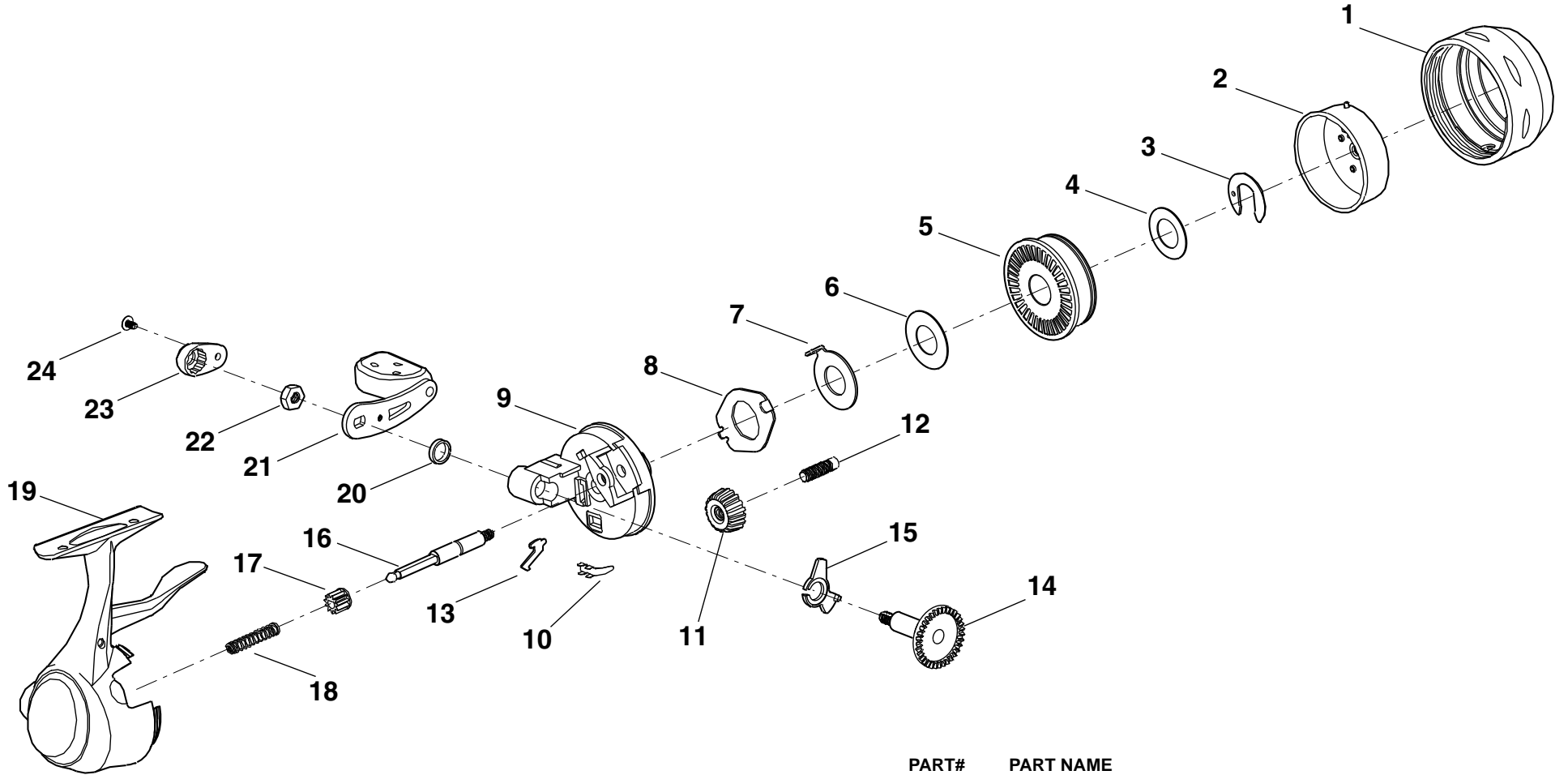


Shakespeare

SINCE 1897

SYNSTEEL6U



PART#	PART NAME	PART#	PART NAME
1	FRONT CONE ASSEMBLY	14	DRIVE GEAR
2	P.U.H. ASSEMBLY	15	A-R LEVER
3	SPOOL RETAINING WASHER	16	MAIN SHAFT
4	FRICTION WASHER	17	PINION
5	SPOOL	18	MAIN SHAFT SPRING
6	FRICTION WASHER	19	REAR COVER ASSEMBLY
7	REAR DRAG WASHER	20	BUSHING
8	DRAG PLATE	21	CRANK ARM ASSEMBLY
9	FRAME	22	CRANK NUT
10	SPOOL CLICK SPRING	23	CRANK NUT COVER
11	DRAG KNOB	24	SCREW
12	DRAG SCREW		
13	ANTI-REVERSE PAWL		