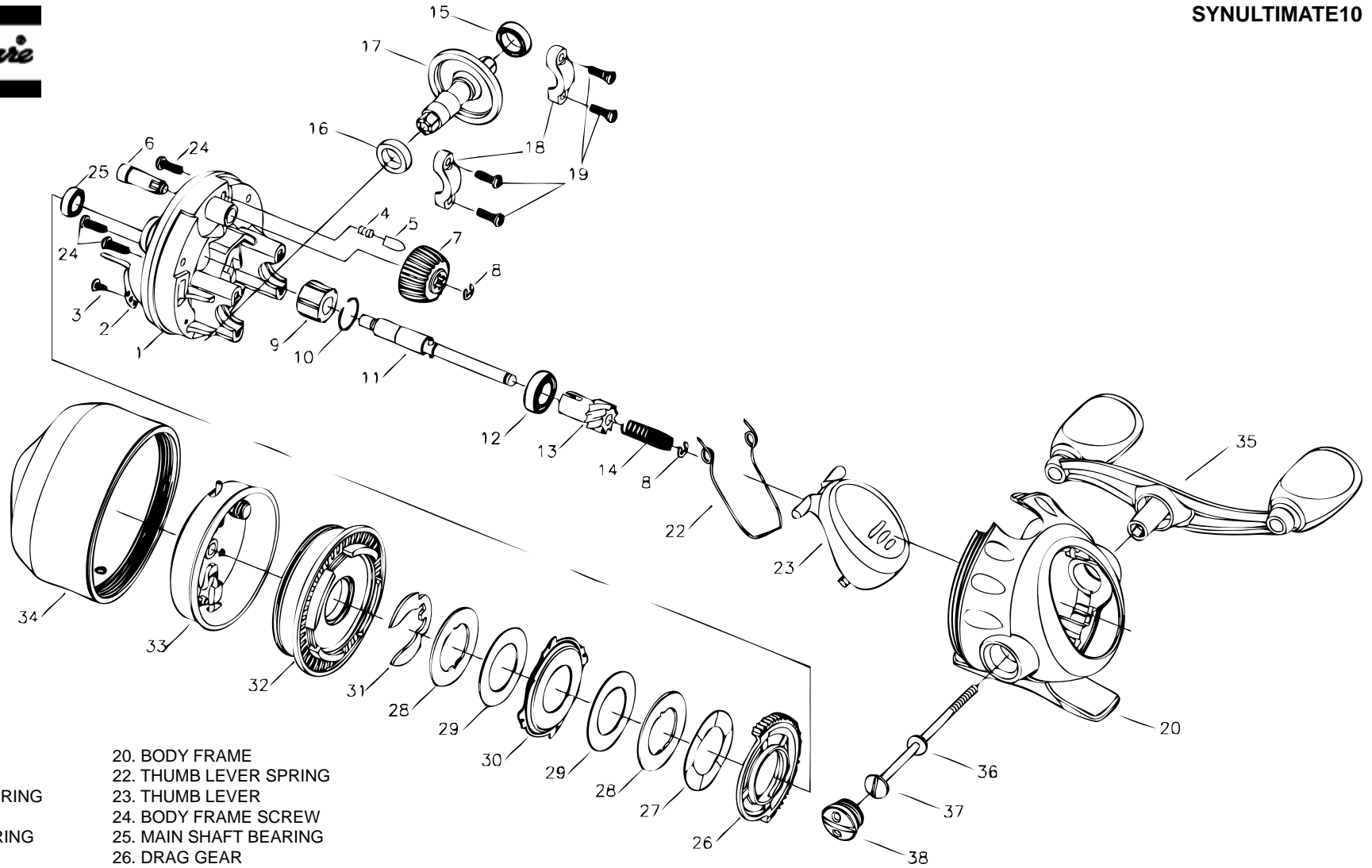


Shakespeare

SINCE 1897

SYNULTIMATE10



NO. PART NAME

- 1. FRAME
- 2. SPOOL CLICK SPRING
- 3. SCREW
- 4. DRAG CLICK SPRING
- 5. DRAG CLICK PIN
- 6. DRAG STEM
- 7. DRAG KNOB
- 8. "E" WASHER
- 9. ONE WAY CLUTCH
- 10. STOP RING
- 11. MAIN SHAFT ASSM
- 12. PINION BEARING
- 13. PINION
- 14. MAIN SHAFT SPRING
- 15. DRIVER GEAR BEARING
- 16. DRIVER GEAR BUSHING
- 17. DRIVE GEAR
- 18. BEARING RETANER
- 19. SCREW

- 20. BODY FRAME
- 22. THUMB LEVER SPRING
- 23. THUMB LEVER
- 24. BODY FRAME SCREW
- 25. MAIN SHAFT BEARING
- 26. DRAG GEAR
- 27. DRAG SPRING WASHER
- 28. SPOOL WASHER
- 29. FRICTION WASHER
- 30. DRAG PAN
- 31. RETAINING WASHER
- 32. SPOOL
- 33. P.U.H ASSM
- 34. FRONT CONE ASSM
- 35. HANDLE ASSM
- 36. CRANK INSERT WASHER
- 37. CRANK MGT SCREW
- 38. SIDE CAP